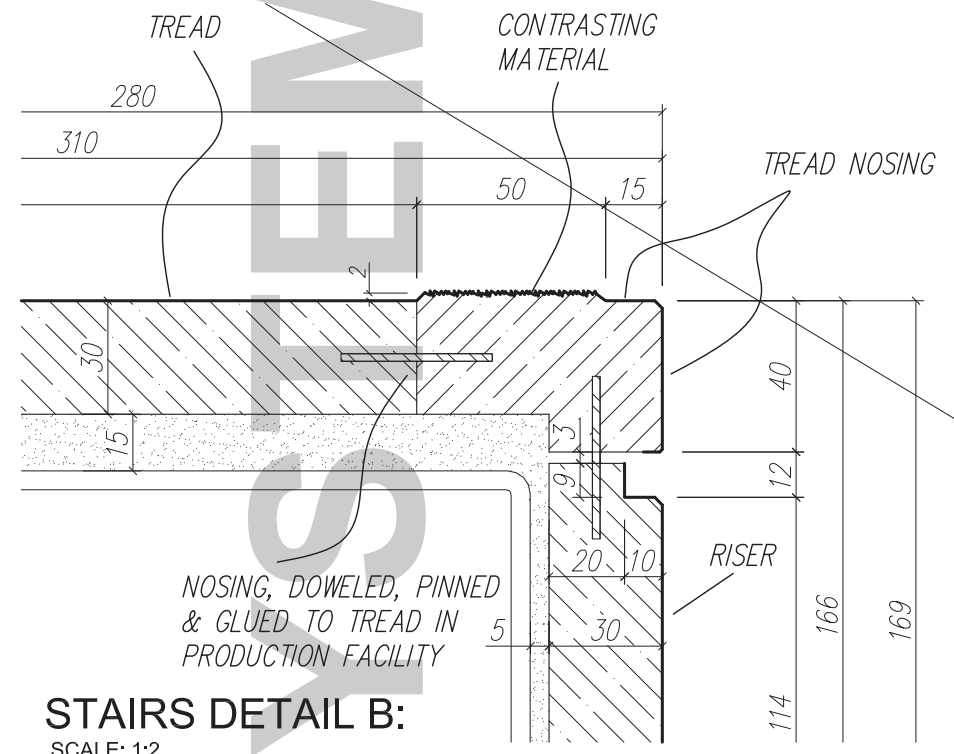
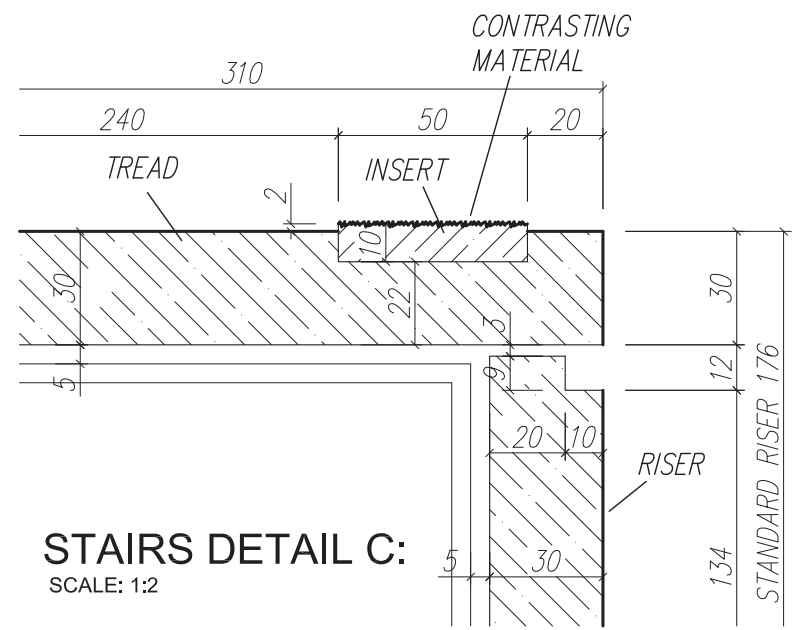


**STAIRS DETAIL A:**  
SCALE: 1:5

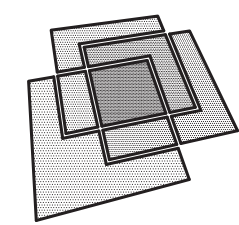


**STAIRS DETAIL B:**  
SCALE: 1:2



**STAIRS DETAIL C:**  
SCALE: 1:2

REV.	DESCRIPTION	BY	DATE



**Stone Systems Ltd.**  
SPECIALISTS IN STONEMASONRY  
Wexford Road Business Park, Wexford Road, Carlow.  
Tel: 059 9133 680 Fax: 059 9133 685  
Email: Info@stonesystems.ie

ALL DIMENSIONS IN MILLIMETRES - DO NOT SCALE FROM DRAWING  
© Stone Systems Ltd. 2007

TITLE  
**STAIRS DETAIL - INTERNAL**

JOB REFERENCE  
**STANDARD DETAILS  
TRADITIONAL BUILD**

DRAWN	CHECKED	DATE	SCALE 1:5 @ A3
DWG No. <b>DET-019</b>	REV.	DRAWING STATUS	