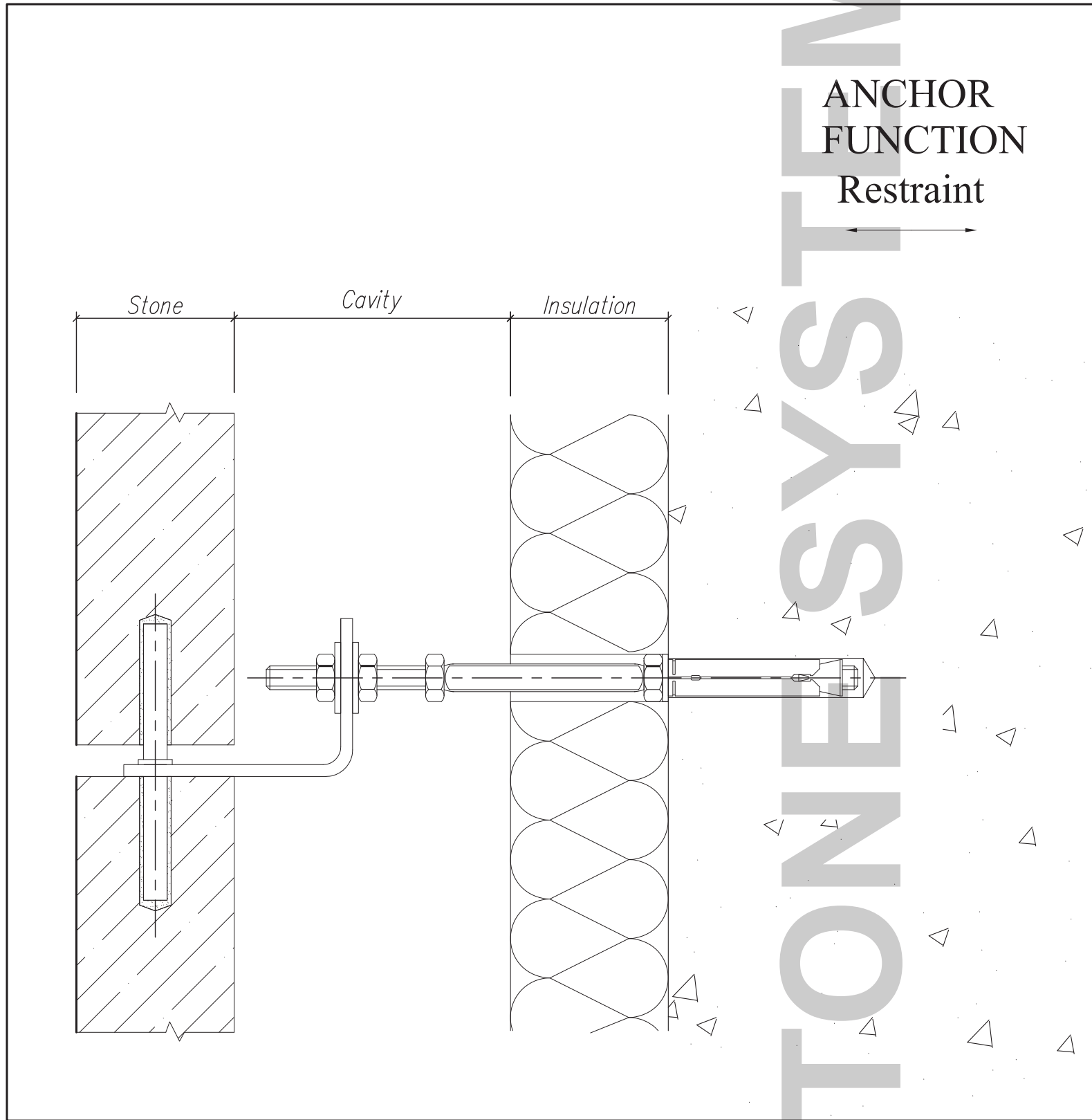
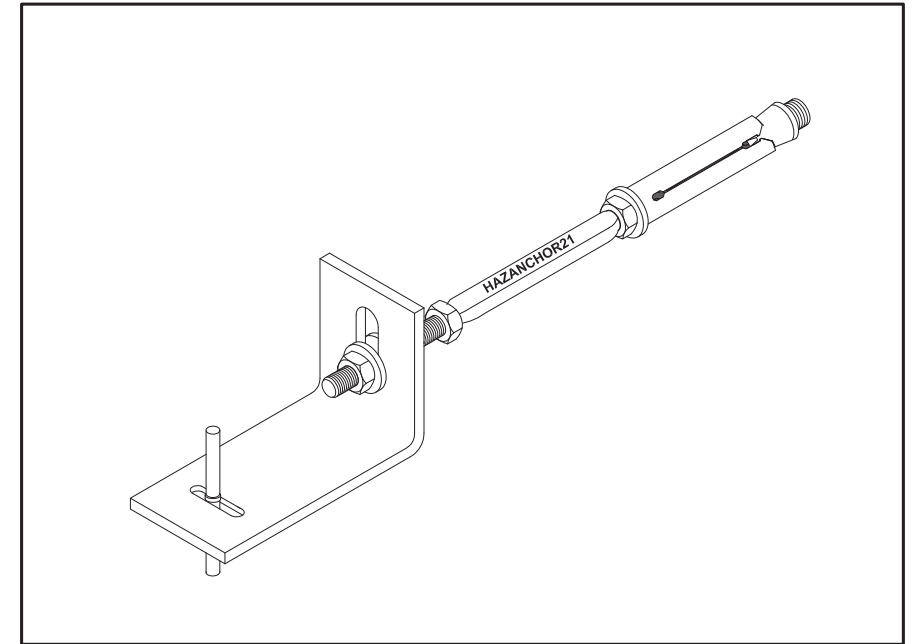


STONE SYSTEMS

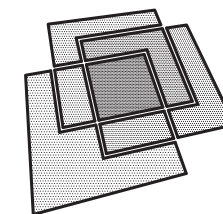


TYPICAL RESTRAINT FIXING DETAIL



TYPICAL RESTRAINT FIXING ISO-VIEW

| REV. | DESCRIPTION | BY | DATE |
|------|-------------|----|------|
| | | | |



Stone Systems Ltd.
SPECIALISTS IN STONEMWORK
Wexford Road Business Park, Wexford Road, Carlow.
Tel: 059 9133 680 Fax: 059 9133 685
Info@stonesystems.ie

ALL DIMENSIONS IN MILLIMETRES - DO NOT SCALE FROM DRAWING
© Stone Systems Ltd. 2007

TITLE
TYPICAL RETENTION FIXING DETAIL

JOB REFERENCE
STANDARD DETAILS

| | | | |
|---------------------------|---------|----------------|-----------------------|
| DRAWN | CHECKED | DATE | SCALE DO NOT SCALE |
| DWG No. DET-024 | REV. | DRAWING STATUS | |